

**Ultra Low Loss Isolator**  
**925 MHz — 960 MHz**

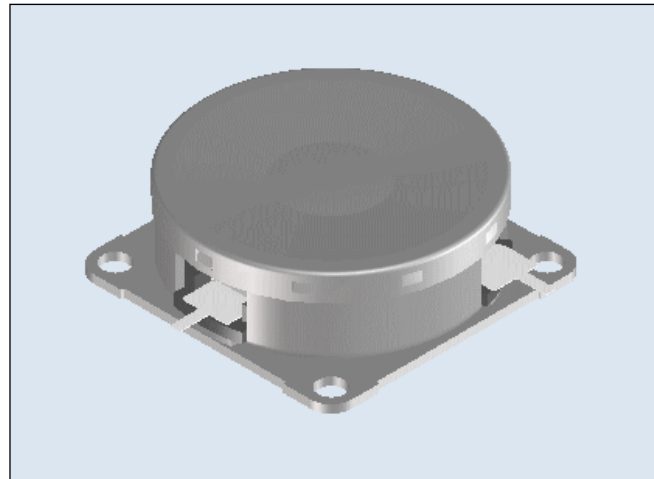
**MAFRIN0437**  
Version 01

**Features**

- <0.1 dB Insertion Loss
- Designed for wireless base station market
- 25 dB Isolation typical
- Low cost 31.75mm Drop-In package
- Lead Free

**Description**

This circulator is designed specifically for wireless base station applications and features high reliability performance at a low cost. It is in a low cost package ideally suited for high volume manufacturing. M/A-Com is one of the largest suppliers of isolators and circulators in the world.



**Electrical Specifications:  $T_A = +25^{\circ}\text{C}$ ,  $Z_0 = 50\ \text{Ohms}$**

Parameter	Test Conditions	Units	Minimum	Typical	Maximum
Frequency Range	Over $T_{op}^1$	MHz	925		960
Insertion Loss	Over $T_{op}^1$	dB		0.08	0.1
Isolation	Over $T_{op}^1$	dB	22.0	25.0	
Return Loss	Over $T_{op}^1$	dB	22.0	25.0	
Intermodulation Product	IM3, 2 tones, 30 Watts each over $T_{op}^1$ (see table) IM5, 2 tones, 30 Watts each over $T_{op}^1$	dBc	-70	-74	
Harmonics	1 tone @ 30 Watts of $T_{op}^1$	dBc	-50	-54	
Insertion Phase	@ 883MHz, Test Fixture	Degree(°)		179	
Delay	Test Fixture Removed	nSec		1.30	
Circulation	Over $T_{op}^1$			CW	

1. See "Absolute Maximum Ratings" for  $T_{op}$ .

**Absolute Maximum Ratings:**

Parameter	Absolute Maximum
Forward Power	200 Watts
Operating Temperature	-20°C to +70°C
Storage Temperature	-40°C to +100°C

1. Operation of this device above any one of these parameters may cause permanent damage.

**Ordering Information**

Part Number	Packaging
MAFRIN0437	Flat Pack

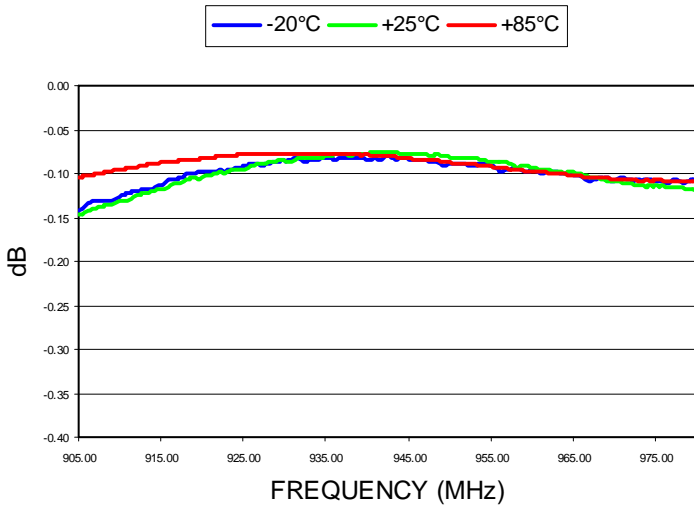
1

M/A-COM Inc. and its affiliates reserve the right to make changes to the product(s) or information contained herein without notice. M/A-COM makes no warranty, representation or guarantee regarding the suitability of its products for any particular purpose, nor does M/A-COM assume any liability whatsoever arising out of the use or application of any product(s) or information.

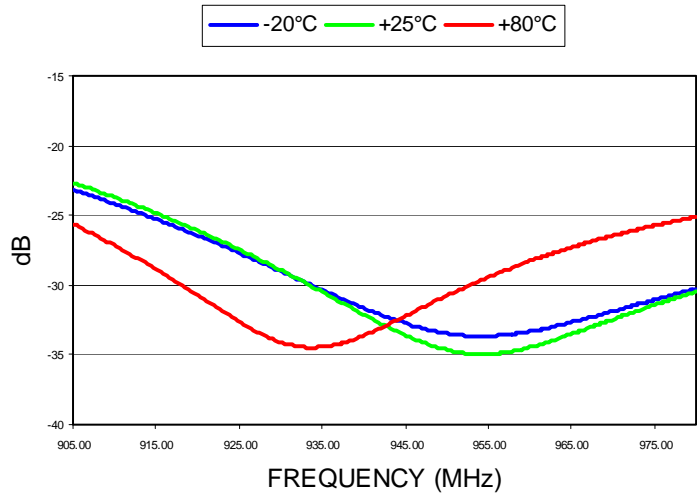
• **North America** Tel: 800.366.2266 / Fax: 978.366.2266  
 • **Europe** Tel: 44.1908.574.200 / Fax: 44.1908.574.300  
 • **Asia/Pacific** Tel: 81.44.844.8296 / Fax: 81.44.844.8298

Visit [www.macom.com](http://www.macom.com) for additional data sheets and product information.

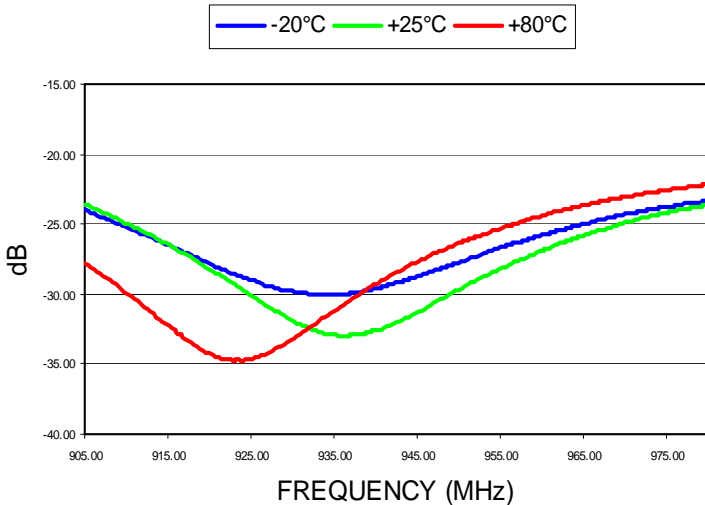
**Insertion Loss (S21)**



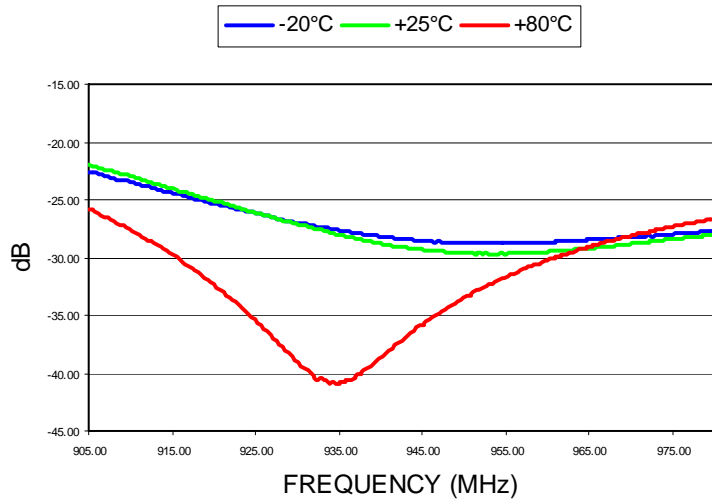
**Isolation (S12)**



**Return Loss (S11)**



**Return Loss (S22)**



**Ultra Low Loss Isolator**  
**925 MHz — 960 MHz**

**MAFRIN0437**  
Version 01

**Environmental Specifications**

Devices are designed to function after exposure to the shock, vibration, thermal shock and moisture conditions typically encountered in base station and other infrastructure environments.

**S-Parameters**

S-parameters are available on the M/A Com web-site at:

[www.macom.com/tech\\_app\\_resources/techapp\\_design\\_info](http://www.macom.com/tech_app_resources/techapp_design_info)

**Port Description:**

Port Number	Description
1	RF In
2	RF Out
3	Terminated

**Outline Drawing**

1. Dimensions in inches/mm.
2. Tolerances:  $\pm 0.3$  mm unless otherwise noted.
3. Housing: Cold Rolled Steel with Silver Plating.
4. Cover: CRS with Silver Plating.
5. Leads: Copper.

